






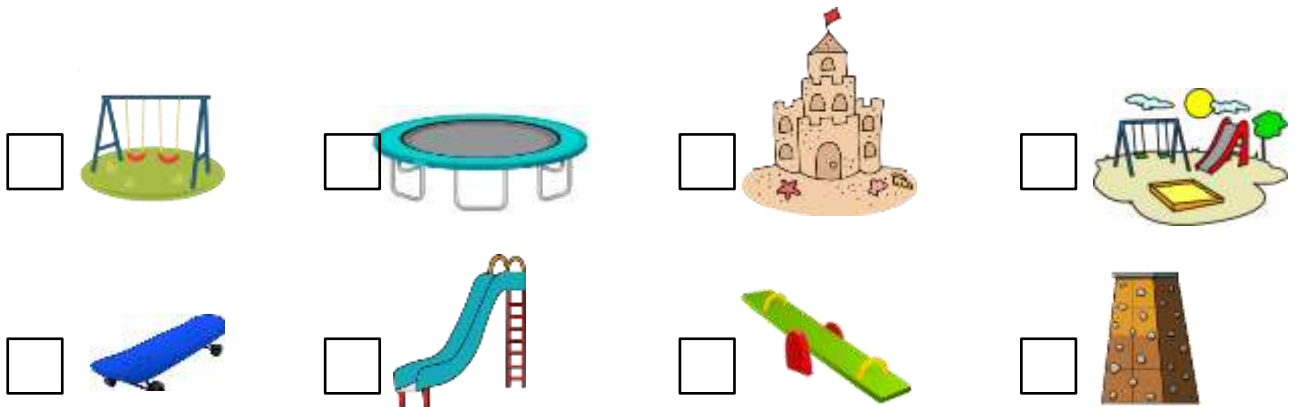


# ENGLISH EXAM

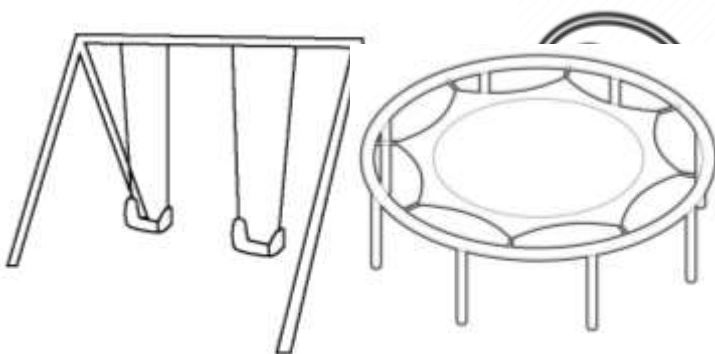
## Listening

Name: _____ Surname: _____ N <sup>ber</sup> : _____ Grade/Class: _____	
Assessment: _____	Date: _____
 <input type="checkbox"/>  <input type="checkbox"/>  <input type="checkbox"/>  <input type="checkbox"/>  <input type="checkbox"/>	Teacher's signature: _____ Parent's signature: _____

### 1) Listen and number.



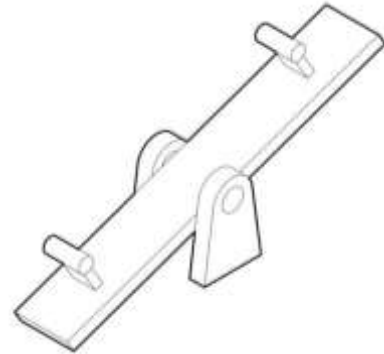
### 2) Listen, link and colour.





## ENGLISH EXAM

### Listening



#### TRANSCRIPT

##### EXERCISE 1

1. Sand castle
2. Trampoline
3. Skateboard
4. Swing
5. Slide
6. Seesaw
7. Climb rock wall
8. Playground

##### EXERCISE 2

Jonny uses these equipment in the playground. Link and color only those equipment.

1. Seesaw
2. Slide
3. Trampoline
4. Skateboard